



IPEC leads the way in preventing factory accidents.



FREE ON-SITE DEMONSTRATIONS

The best way to truly understand the modularity of our product lines and how they can help your business is to see them first hand. Our fully functional demo van, along with our trained staff can answer all your questions at your location today. IPEC can show you solutions to your needs. The IPEC van visits many plants and we have the knowledge and experience to know what works and what doesn't. Take advantage of this opportunity and stay seated. We'll bring it all to you and it won't cost you a cent.

The perfect combination of modular and safety.

Solutions For Every Machine Guarding Safety Challenge



Keyed Interlock Switches



Keyed Interlock Switches with Solenoid Latching



Emergency Cable-Pull Switches



Non-Contact Safety Sensors



Hinged Safety Interlock Switches



Safety-Rated Limit Switches



Fail-to-Safe Safety Edges



Safety Controllers



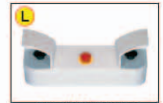
Safety Light Curtains & Beams



Safety Pressure Mats



Safety Foot Switches



Two-Hand Controls



Machine Guarding,
Enclosures and
Work Stations



WORK SAFE; Stop the hazard risk, work safer everyday. IPEC can supply you with all the components for a safe and more efficient factory.



Machine guarding can save your machine operators life, not to mention it will prevent the MOL from shutting down your factory to investigate the safety of your entire workplace. Order the parts, assemble yourself or have our qualified staff cut, drill, tap and assemble to your specifications. IPEC has the tools, facilities and the expertise to bring your aluminium projects to life.

IPEC provides Canada with The Industrial Erector Set **MODULAR ANYTHING**

A modular framing system that can adjust to fit any industry application.

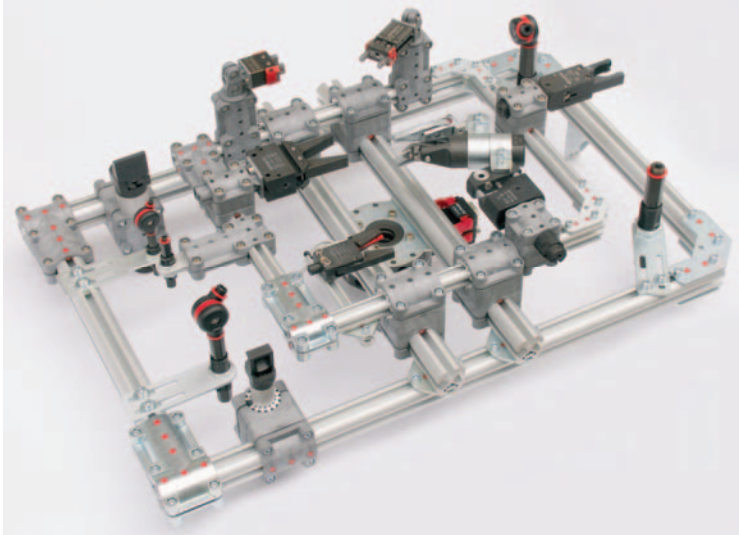
From heavy to light-duty, aluminium extrusion modular framing will provide you with a secure and approved machine guard, display, workstations, etc.

80/20 is the largest and fastest growing aluminium extrusion company in North America. Keeping on top of your requirements they are releasing new products monthly. Check out some of their metric aluminium extrusion profiles below.



End of Arm Tooling

IPEC has everything required for end of arm tooling components to engineer complete systems for plastics injection moulding machines or tooling for every industry.



Pick & Place

T-Slot Aluminium Profile

Grippers

Two jaw parallel
Two jaw angular
Three jaw

Rotary

80/180 degree

Indexer

4x90 degree
6x60 degree
8x45 degree

Slides

Pneumatic actuator
No actuator

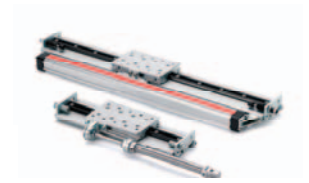
Swivel Units

Nippers

Mounting Brackets

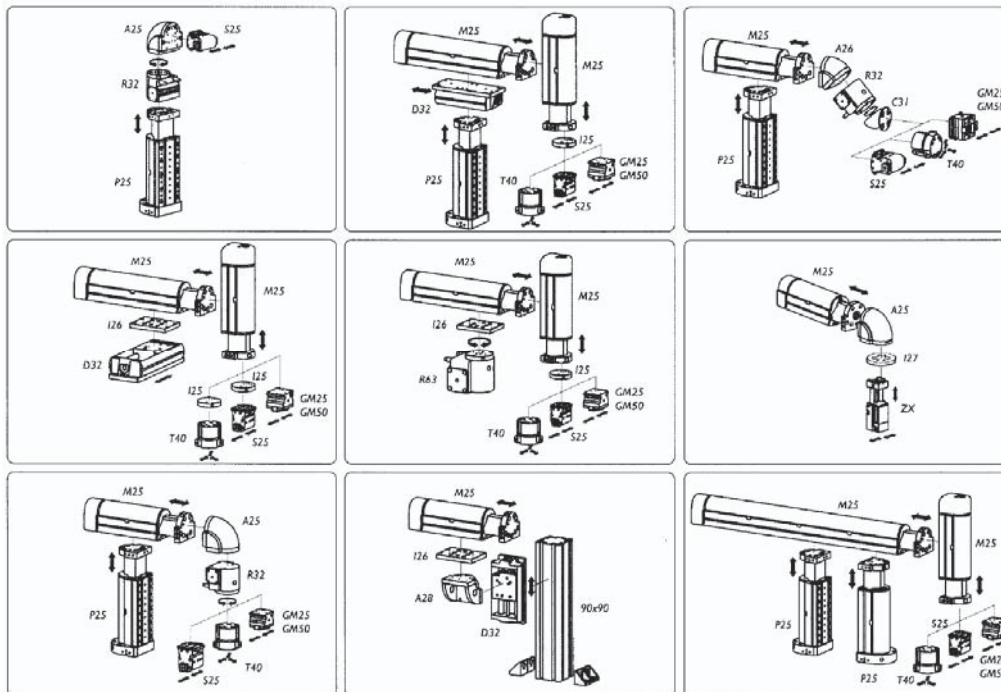
Clamps

Vaccum Holders/Cups



Gimapick a modular **bolt together pick & place system**. It's very easy to assemble, allowing you to build up to three linear axes, cartesian manipulators with rotary actuators, and gripping units.

gimapick

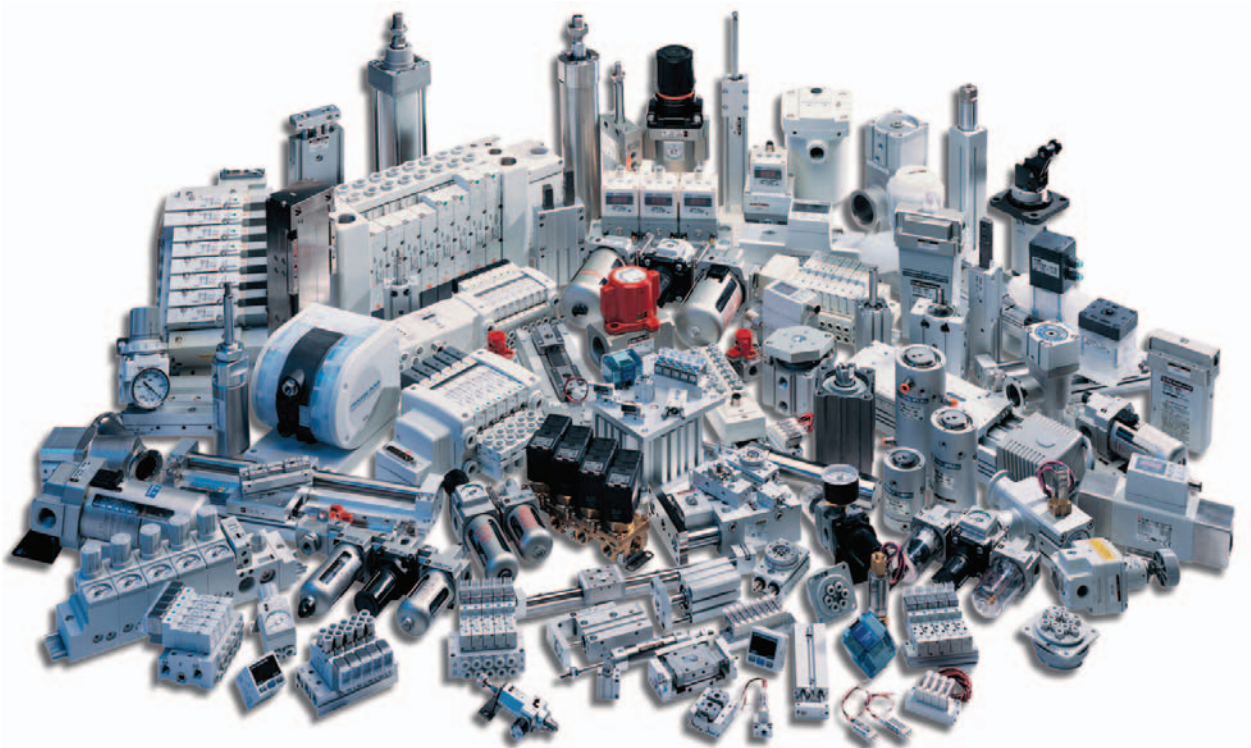


Valves & Actuators

Every application can be controlled with IPEC's complete range of control valves and actuators.

IPEC stocks 2-3-4 way valves, air piloted, or solenoid operated control valves. If you are looking for machine control or process control valves we have them in stock.

IPEC carries a complete range of actuators for every application from Stainless Steel Disposable to Rodless Actuators as well as Electric and Air/Oil Intensifiers.



IPEC is a Canadian based company formed in 1982. We are your number one choice for all your pneumatic, electronic and t-slotted aluminum extrusion needs. Plus we have a large selection of components designed specifically to make your plant a safe work place.

IPEC represents only the leading manufacturers in the industry. Our sales and technical support staff are factory trained on our wide range of components. The variety of products we have to offer gives you different choices of product solutions to fit your needs.

We can show you how you can have a safer working environment and increase your productivity. We have seen first hand what works and what doesn't. Take advantage of our knowledge and call for a free demo.



Pumps

Choosing the right pump for the application is important and we're here to assist your needs. IPEC carries all the pumps and accessories to get the material transferred without breaking your back.

All safety interlock switches look alike...



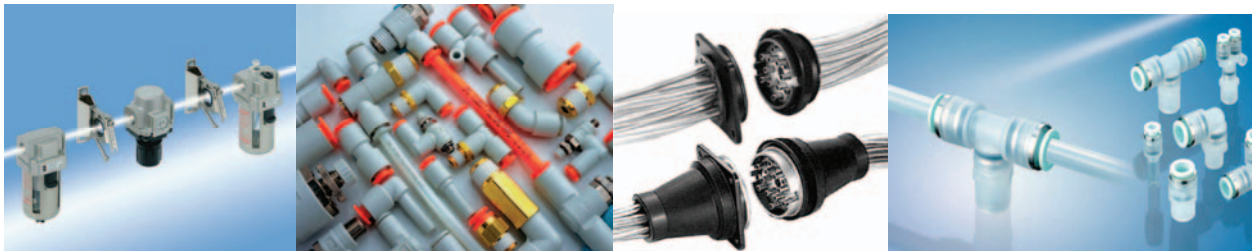
Electric & Electronic

IPEC has all the electric and electronic components you'll require for the simplest jobs to the most difficult sensing problems.



Accessories

IPEC has all the required accessories to start or complete your projects. We carry a complete line of air preparation accessories, all of the required fittings including, brass pipe fittings, push to connect fittings as well as airline couplers and connectors. We also carry the hose and tubing to use with them. A complete range of mufflers, check valves, quick exhaust all in NPT or METRIC sizes are also available.



IPEC Div. Of I.P.E.C. Industrial Controls Ltd.
17-109 Fernstaff Court,
Concord, Ontario L4K 3M1
www.ipecautomation.com



Al Stevens

Phone: 905-738-6688
Toll Free: 1-866-665-7877
Fax: 905-738-6251
Voice Mail: 905-738-2066 X225
Email: al@ipecautomation.com

Pneumatic - Electronic - Mechanical
Components for Industrial
Automation

ACTUATORS – ELECTRIC

Servo Driven Ballscrew – Servo Driven Belt Drive
Rotary Actuators – Scara Robots

ACTUATORS – PNEUMATIC – HYDRAULIC

Compact Cylinders – Twin Rod Cylinders
Air Oil Intensifier Cylinders – Guided & Rodless Cylinders – Slides
N.F.P.A Cylinders – Non-Repairable Cylinders – ISO Cylinders
Grippers – Rack & Pinion & Vane Type Rotary Actuators
Low & High Pressure Hydraulic Cylinders

AIRLINE ACCESSORIES

Air Hose & Tubing – Brass Fittings – Push To Connect Fittings
Couplers & Connectors – Blow Guns – Filters, Regulators,
Lubricators & Gauges – Oil & Water Removal Filters

ALUMINIUM EXTRUSION

Modular T-Slotted Aluminum Framing Systems

ELECTRIC & ELECTRONIC COMPONENTS

Fibre Optic Sensors – Timers – P.L.C.'S – Photo Electric Sensors
Counters – Cables – Proximity Sensors – Relays – Microswitches
Limit Switches – Contractors/Starters – Push Buttons – Pilot Lights
Temperature Controllers – Light Towers

END OF ARM TOOLING

Modular Clamping Systems – Quik Changer – Grippers – Slides
Vacuum – Aluminum Profile – Custom Brackets

MATERIAL PUMPS & ACCESSORIES

Adhesive Pumps & Applicators – Diaphragm Pumps
Transfer Pumps – Extrusion Pumps & Guns

MECHANICAL ACTUATORS & BEARINGS

Leadscrew – Ballscrew – Belt Operators – Rolling Guides
Support Bearings

SAFETY PRODUCTS

Anti Tie Downs – Light Curtains – Keylocks – Safety Mats
Quick Dump Lock Outs – Softstart Valves – Aluminum Guarding
Die Protection

VALVES

Air Logic – 2, 3 & 4 Way – Air Pilot – Process – Solenoid
Manual – ISO – Stackable – Body Ported – Manifordable – Ball

MISCELLANEOUS EQUIPMENT

Air Motors – Index Tables – Automation Drills & Tappers
Vacuum Generators & Cups – Pressure & Vacuum Switches
Cable & Hose Management – Material Handling

MANUFACTURERS

NSK, SMC, DYNA SERVO

**SMC, GIMATIC, MULTICYL, COMPAIR,
L & W, POWER PRODUCTS, HUMPHREY,
PARKER, OHMA**

**WATTS, SMC, RECTUS, ARO,
VERSA, PARKER**

80/20

**BURKERT, HENGLER, MOUJEN
BRAD-HARRISON, BAUMER, IVO**

GIMATIC, 80/20, SMC

ARO, SMC, BURKERT, INGERSOL RAND

SMC, NSK

**80/20, BAUMER, SMC, LONDON MAT,
STEWART ERGONOMICS, COMPAIR,
TELEMECANIQUE, PARKER, SCHMERSAL,
GUARDSTAR, TAPESWITCH**

**SMC, WATTS, BURKERT, COMPAIR,
TELEMECANIQUE, PARKER, HUMPHREY**

ARO, INGERSOL RAND

WE OFFER TECHNICAL SUPPORT FOR ALL THE PRODUCTS WE SELL

Web Page: www.ipecautomation.com Email: sales@ipecautomation.com Fax: 905-738-6251